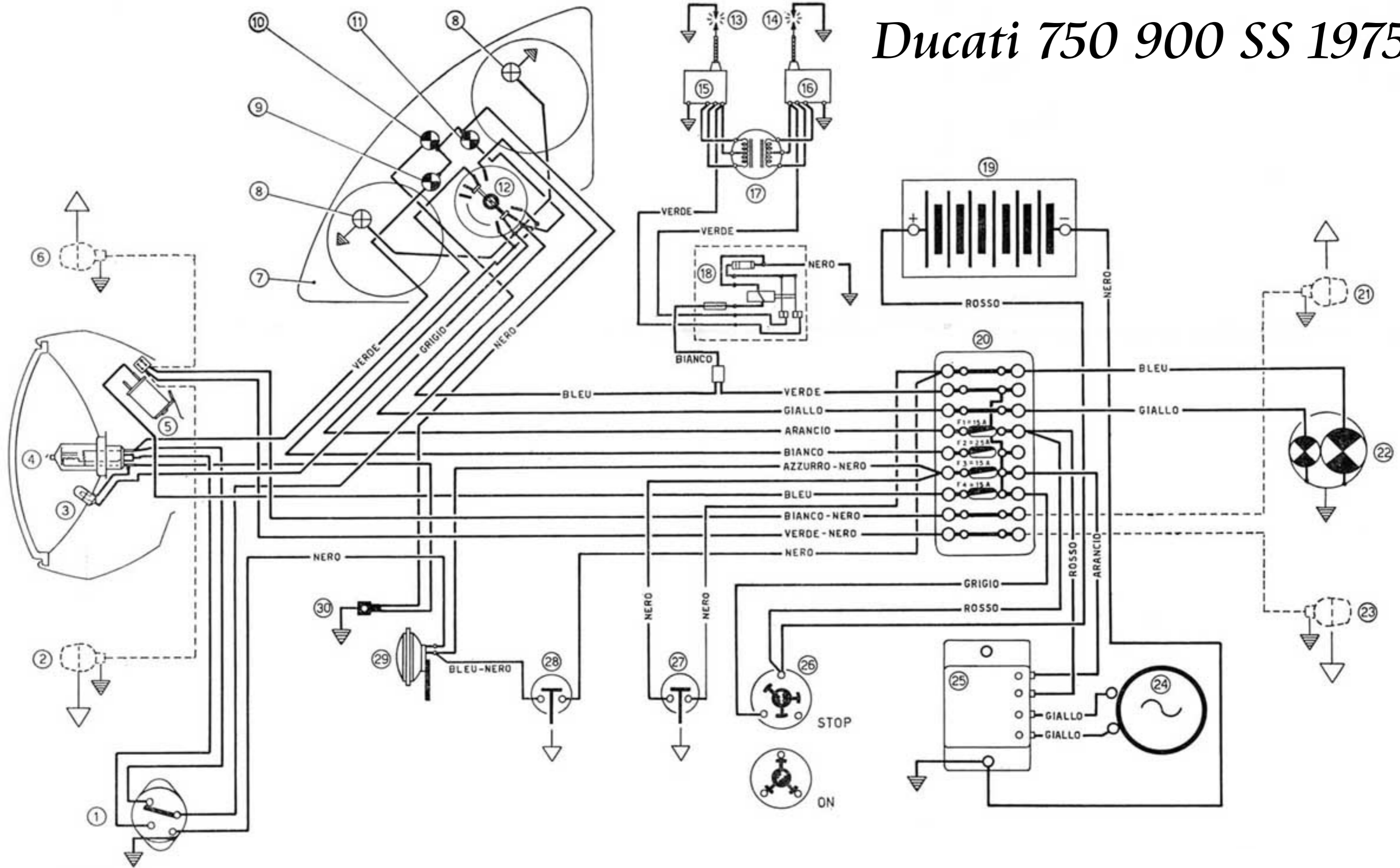


Ducati 750 900 SS 1975



- ARANCIO = ORANGE
- AZZURRO-NERO = BLEU-BLACK
- BIANCO = WHITE
- BIANCO-NERO = WHITE-BLACK
- BLEU = BLUE
- BLEU-NERO = BLUE-BLACK
- GIALLO = YELLOW
- GRIGIO = GREY
- NERO = BLACK
- ROSSO = RED
- VERDE = GREEN
- VERDE-NERO = GREEN-BLACK



1	LIGHT SWITCH AND HORN PUSHBUTTON	11	12V-1.2W ALL-LIGHTS WARNING	21	12V-15W R.H. REAR FLASHER
2	12V-15W L.H. FRONT FLASHER	12	LIGHT SWITCH	22	12V-5/21W TAIL LIGHT/STOP/PLATE
3	12V-3W PARKING LIGHT	13	SPARK PLUG NO.1	23	12V-15W L.H. REAR FLASHER
4	H4-12V-55/60W IODINE LAMP	14	SPARK PLUG NO.2	24	ALTERNATOR
5	FLASHER DEVICE	15	TRANSDUCER NO.1	25	ELECTRONIC REGULATOR
6	12V-15W R.H. FRONT FLASHER	16	TRANSDUCER NO.2	26	SAFETY LOCK SWITCH
7	INSTRUMENT BOARD	17	ELECTRONIC IGNITION GENERATOR	27	REAR STOP SWITCH
8	INSTRUMENT LIGHTS	18	RELAY TO STOP THE ENGINE	28	FRONT STOP SWITCH
9	12V 1.2W MAIN BEAM WARN. LIGHT	19	12V-12Ah YUASA 12N-12A-4A BATTERY	29	12V HORN
10	12V-3W INSERTED KEY WARN. LIGHT	20	FUSE HOLDING TERMINAL	30	GENERAL EARTH